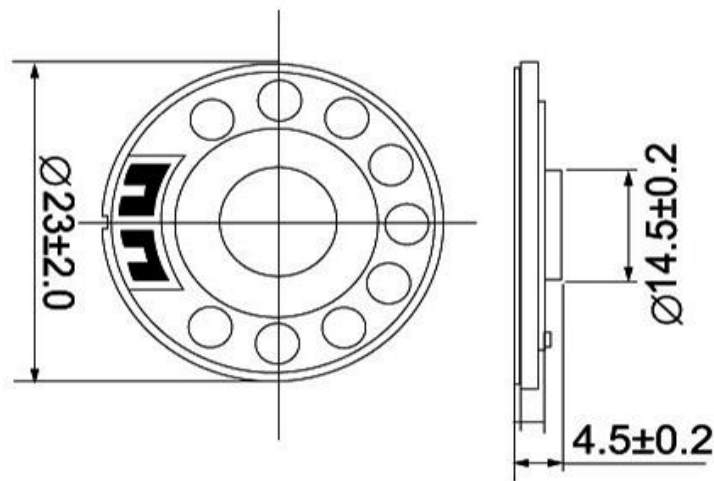
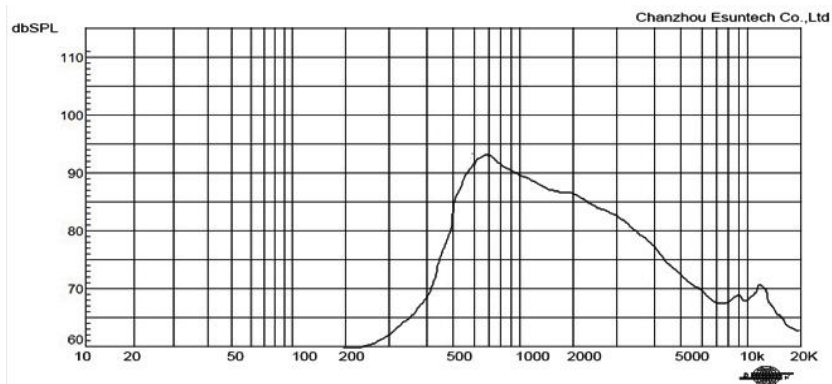


SPECIFICATION		
1	Model No.	ESP23N-01
2	Diaphragm	Mylar
3	Frame	Plastic
4	Nominal Power:	0.25W
5	Maximum Power:	0.5W
6	Impedance:	4/8/16/32 ohm±15%Ω
7	Voice coil:	
8	Fo:	600 HZ
9	Response:	Fo-20kHz
10	S.P.L	87±3dB/0.1W/0.1
11	Magnet Size:	NdFeB
12	Rohs	Yes


THIS DOCUMENT CONTAINS DATE
 PROPRIETARY TO PROJECTS CHANGZHOU ESUNTECH
 CO LTD. ANY USE OR REPRODUCTION, IN ANY FORM,
 WITHOUT PRIOR WRITTEN PERMISSION OF
 PROJECTS CHANGZHOU ESUNTECH CO LTD
 IS PROHIBITED.
 ©2003, Project Changzhou Esuntech Co Ltd

REVISION HISTORY			
LTR	DESCRIPTION	DATE	APPROVED
-	RELEASED FROM ENGINEERING	9/23/2003	Y M
A			
B			
C			



NOTES:

1. ALL DIMENSIONS ARE IN MILLIMETERS
2. SPECIFICATIONS SUBJECT TO CHANGE WITHOUT NOTICE

SIZE	Designed by	Date	Checked by	Date	Approved by	Date	Drawed date
A4	 Changzhou Esuntech Co.,Ltd http://www.esuntech.com.cn		ESP23N-01				
			SPEAKER	Edition	Sheet		